
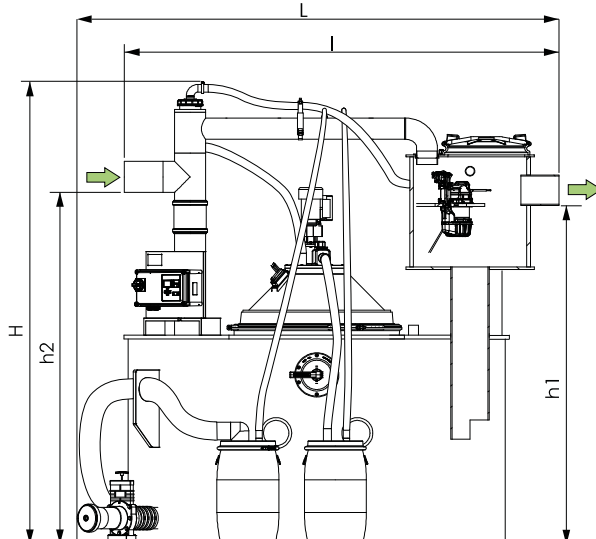
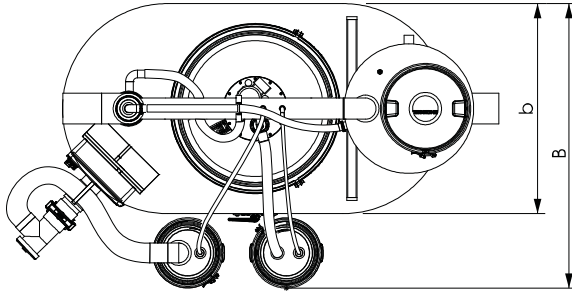


Grease separators for free-standing installation


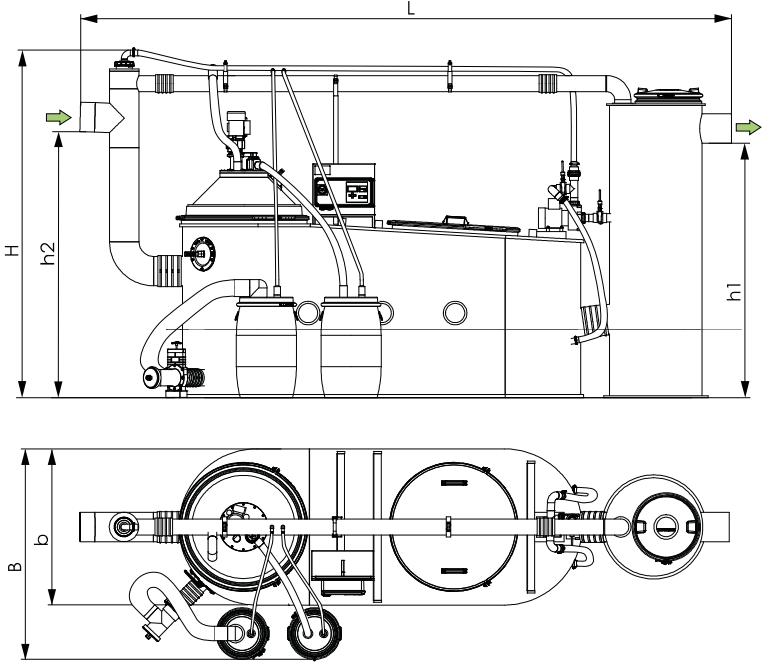
Grease separator (self disposal) SE NS 2–10

Illustration	Article description	NS	Weight	Article #
	<p>Grease Separators SE NS ...</p> <p>Grease Separator according to EN 1825/DIN 4040, manufactured of High Density Polyethylene (HD-PE), for free standing installation in frost free rooms, odor tight access covers with quick release clamps, odor tight grease separation compartment with integrated heating dome.</p> <p>Ø ... inlet and outlet.</p> <p>Self disposal system for separate disposal/collection of sludge and grease via manually operating valves. Visual inspection with transparent disposal pipe, disposal possible without interrupting separator operation. Includes grease, sinking sludge tanks (each with replacement tanks).</p> <p>Electrical heating dome (230V, 50 Hz, 1200 W) for grease separation compartment, interior mounted pump (230V, 50 Hz, 1300 W) for transferring fine sludge from grease separation compartment and motor operated grease mixer (230V, 50 Hz, 360 W) and electrical control unit (230V, 50 Hz, 6.3-10 Amp), rinsing pump (230V, 50 Hz, 1400 W). Complete system is IP 54 rated. System delivered completely assembled. Access/operation on right side of separator (based on direction of flow).</p> <p>Rights reserved for technical changes.</p>	NS 2	210 kg	99102.02
		NS 4	215 kg	99104.02
		NS 7	295 kg	99107.02
		NS 10	305 kg	99110.02
	 			

Size	Flow rate	Ø (mm)	H (mm)	L (mm)	l (mm)	b (mm)	B (mm)	h1 (mm)	h2 (mm)	Weight empty (kg)	Weight full (kg)	Article #
NS 2	2 L/s	110	2350	2230	1910	1070	1580	1775	1845	210	1660	99102.02
NS 4	4 L/s	110	2350	2235	1915	1090	1600	1775	1845	215	1675	99104.02
NS 7	7 L/s	160	2380	2450	2260	1090	1600	1750	1820	295	2280	99107.02
NS 10	10 L/s	160	2380	2500	2260	1180	1680	1750	1820	305	2415	99110.02

Grease separators for free-standing installation

Grease separator (self disposal) SE NS 15–25

Illustration	Article description	NS	Weight	Article #
	<p>Grease Separators SE NS ...</p> <p>Grease separator according to EN 1825 / DIN 4040, manufactured of High Density Polyethylene (HD-PE), for free standing installation in frost free rooms, with preliminary coarse sludge trap, odor tight access covers with quick release clamps, odor tight grease separation compartment with integrated heating dome.</p> <p>Ø ... inlet and outlet.</p> <p>Self disposal system for separate disposal / collection of sludge and grease via manually operating valves. Visual inspection with transparent disposal pipe, disposal possible without interrupting separator operation. Includes disposal tanks (for grease, sludge and replacement tank).</p> <p>Exterior mounted pump (230V, 50 Hz, 750 W) for transferring fine sludge from grease separation compartment back to sludge compartment, electrical heating dome (230V, 50 Hz, 1200 W) for grease heating prior to disposal, motor operated grease mixer (230V, 50 Hz, 360 W) and electrical control unit (230V, 50 Hz, 6.3-10 Amp).</p> <p>Complete system is IP 54 rated.</p> <p>System delivered completely assembled.</p> <p>Rights reserved for technical changes.</p>	<p>NS 15</p> <p>NS 20</p> <p>NS 25</p>	<p>550 kg</p> <p>650 kg</p> <p>750 kg</p>	<p>99115.02</p> <p>99120.02</p> <p>99125.02</p>
				

Size	Flow rate	Ø (mm)	H (mm)	L (mm)	b (mm)	B (mm)	h1 (mm)	h2 (mm)	Weight empty (kg)	Weight full (kg)	Article #
NS 15	15 L/s	200	2360	4500	1100	1600	1730	1800	550	3475	99115.02
NS 20	20 L/s	200	2360	5000	1200	1700	1730	1800	650	4250	99120.02
NS 25	25 L/s	200	2360	5400	1450	1900	1730	1800	750	6150	99125.02