


# Grease separators for underground installation

**Euro G**

**NS 1 - 4**

Illustration	NS	Weight	Installation depth D in mm	Cover class A/B Article #	Cover class D Article #
	<b>1</b> NS 1	111 kg	550 to 950	<b>93 001/80 B</b>	<b>93 001/80 D</b>
	NS 2	120 kg	550 to 950	<b>93 002/80 B</b>	<b>93 002/80 D</b>
	NS 4	130 kg	550 to 950	<b>93 004/80 B</b>	<b>93 004/80 D</b>
	<b>2</b> NS 1	111 kg	800 to 1200	<b>93 001/120 B</b>	<b>93 001/120 D</b>
	NS 2	120 kg	800 to 1200	<b>93 002/120 B</b>	<b>93 002/120 D</b>
	NS 4	130 kg	800 to 1200	<b>93 004/120 B</b>	<b>93 004/120 D</b>

**Delivery:**  
System completely assembled.

**Accessories** see page 291-293:  
Sampling chamber, extension section,  
direct disposal, *SonicControl* (NS 2 and NS 4).  
Pumping stations see chapter 3 "lifting stations".

**Certification: Z-54.1-440**  
Change pending

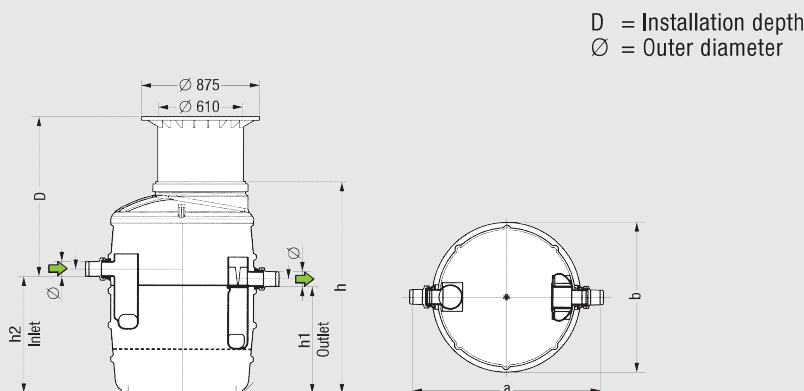
**Grease separator Euro G NS 1/2/4**  
 in accordance with EN 1825 and  
DIN 4040-100, made of polyethylene

**For underground installation**  
Upper section made of polymer,  
infinite height and level adjustment,  
with cover class A/B, D in accordance  
with EN 124 made of cast iron,  
sealed odour-tight, incl. lift-out key.

- 1** for ground installation frost-free depth 800 mm
- 2** for ground installation frost-free depth 1200 mm

**Resistant when installed  
in the groundwater up to 500 mm**  
**A load distribution plate must be  
provided for class D.**

**Further nominal sizes on request**



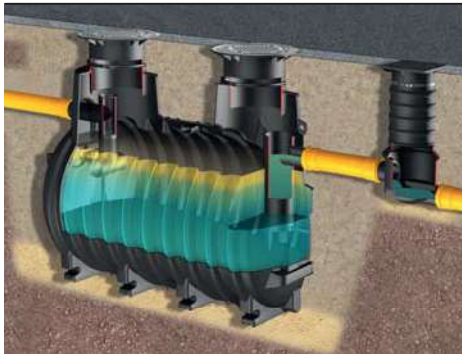
Nominal size	Ø	a	b	h <sup>1)</sup>	h1	h2	Sludge	Grease	Total (including water)
NS 1	110	1380	1106	1050	540	610	140 l	70 l	370 l
NS 2	110	1380	1106	1300	790	860	200 l	120 l	570 l
NS 4	110	1380	1106	1550	1040	1110	400 l	160 l	770 l

<sup>1)</sup> Specifications apply for type 80. For type 120, h\* = h + 250 mm.

# Grease separators for underground installation

## Euro Basic (G)

NS 7 - 35

Illustration	NS	Installation depth D in mm	Weight class B	Cover class A/B Article #	Weight class D	Cover class D Article #
	NS 7*	740 to 1175	315 kg	<b>93 007/120 B</b>	450 kg	<b>93 007/120 D</b>
	NS 10*	740 to 1175	340 kg	<b>93 010/120 B</b>	480 kg	<b>93 010/120 D</b>
	NS 15*	765 to 1200	435 kg	<b>93 015/120 B</b>	630 kg	<b>93 015/120 D</b>
	NS 20*	765 to 1200	490 kg	<b>93 020/120 B</b>	670 kg	<b>93 020/120 D</b>
	NS 25	800 to 1235	665 kg	<b>93 925/120 B</b>	765 kg	<b>93 925/120 D</b>
	NS 30	800 to 1235	665 kg	<b>93 930/120 B</b>	765 kg	<b>93 930/120 D</b>
	NS 35	650 to 1085	665 kg	<b>93 935/120 B</b>	765 kg	<b>93 935/120 D</b>

**Delivery:** System completely assembled.

**Accessories** see page 291-293:  
Sampling chamber, extension section, direct disposal, *SonicControl*.  
Pumping stations see chapter 3 "lifting stations".

\* Certification: Z-54.1-440 (NS 7 - 20)

### Grease separator Euro Basic (G) NS 7/10/15/20/25/30/35

in accordance with EN 1825 and DIN 4040-100, made of polyethylene

#### For underground installation

Upper section made of polymer, height and level adjustment, with cover class A/B, D in accordance with EN 124, made of cast iron (can be driven over by cars and trucks), sealed odour-tight, incl. lift-out key.

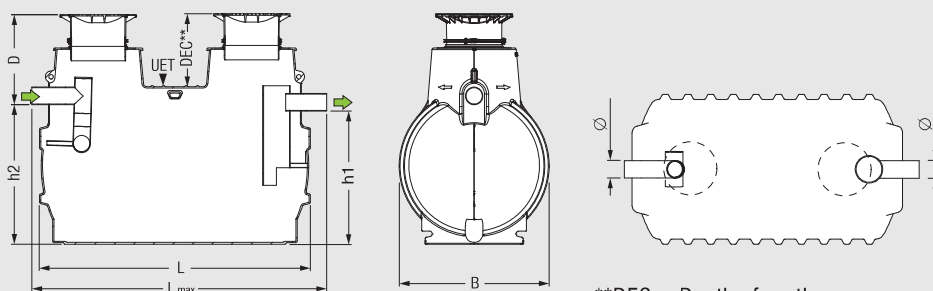
for ground installation: frost-free depth

Minimum installation depth achieved by sawing the upper section as required

Installation is possible with groundwater up to the upper edge of the tank (UET).

A load distribution plate must be provided for class D.

Further nominal sizes on request



D = Installation depth  
Ø = Outer diameter

\*\*DEC = Depth of earth coverage  
Class D = 700 mm ≤ DEC ≤ 1500 mm  
Class A/B = 700 mm ≤ DEC ≤ 1800 mm

Nominal size	Ø	L	B	h1	h2	Sludge	Grease	Total (incl. water)	D-DEC	Lmax mm
NS 7	160	2390	1200	1030	1100	700 l	280 l	1800 l	220 mm	2540
NS 10	160	2910	1200	1030	1100	1000 l	400 l	2600 l	220 mm	3060
NS 15	200	2590	1760	1550	1620	1500 l	600 l	4300 l	185 mm	2780
NS 20	200	3110	1760	1550	1620	2000 l	800 l	5800 l	185 mm	3300
NS 25	200	3470	2010	1550	1650	2500 l	2000 l	7800 l	480 mm	3760
NS 30	250	3470	2010	1550	1650	3000 l	2000 l	7800 l	480 mm	3760
NS 35	250	3470	2010	1700	1800	3500 l	2000 l	8300 l	330 mm	3760

### Technical note:

Weather-related influences or cooling of the tanks during the installation phase (caused by filling with cold water) can lead to deviations in dimensions from the catalogue specifications in the case of cisterns and separators installed in the ground.